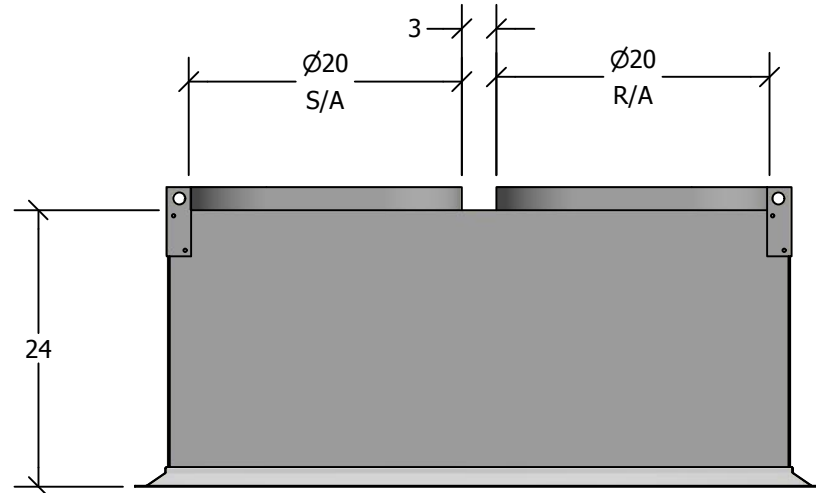


Concentric Diffuser System

ENGINEERING DATA				
CFM	THROW	P.D.	NC	NECK VEL
4,000	16'-31'	.15	38	917
5,000	17'-37'	.18	45	1,146

STANDARD FEATURES

1. G-90 Galvanized Steel Construction.
2. 1" 1-1/2 lb. Duct Liner.
3. Aluminum Louverd Face Grille with Egg Crate Return.
4. Exposed Surfaces Painted Off White Enamel.
5. Fully Assembled.
6. Designed for Lay In Ceiling Installation.
7. Engineered Curb and Duct Packages Available.



QTY TAG

JOB NAME

CURBS PLUS, INC.
www.curbs-plus.com

MODEL NO
CFR10-12.5

WEIGHT
135 LBS.