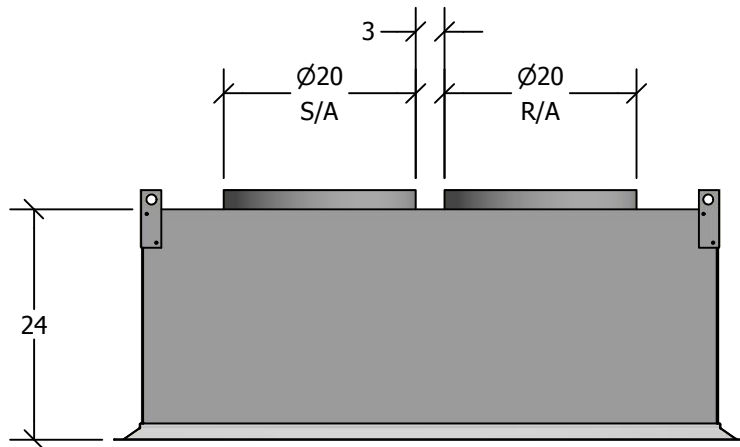


Concentric Diffuser System



STANDARD FEATURES

1. G-90 Galvanized Steel Construction.
2. 1" 1-1/2 lb. Duct Liner.
3. Aluminum Louvered Face Grille with Egg Crate Return.
4. Exposed Surfaces Painted Off White Enamel.
5. Fully Assembled.
6. Designed for Lay In Ceiling Installation.
7. Engineered Curb and Duct Packages Available.

QTY TAG

JOB NAME

CURBS PLUS, INC.
www.curbs-plus.com

NOM CFM 6,000	MODEL NO CFR15	WEIGHT 158 LBS.
THROW 20'-32'	P.D. .10	NC 35
		NECK VEL. 1375