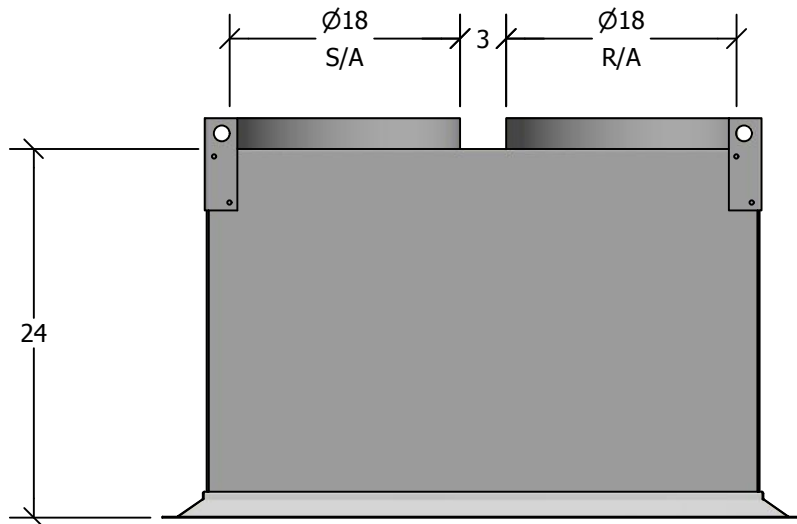


## Concentric Diffuser System



ENGINEERING DATA				
CFM	THROW	P.D.	NC	NECK VEL
1,200	8'-16'	.08	26	679
1,600	10'-18'	.11	30	905
2,000	12'-21'	.14	37	1,132

### STANDARD FEATURES

1. G-90 Galvanized Steel Construction.
2. 1" 1-1/2 lb. Duct Liner.
3. Aluminum Louvered Face Grille with Egg Crate Return.
4. Exposed Surfaces Painted Off White Enamel.
5. Fully Assembled.
6. Designed for Lay In Ceiling Installation.
7. Engineered Curb and Duct Packages Available.

QTY TAG

JOB NAME

  
**CURBS PLUS, INC.**  
[www.curbs-plus.com](http://www.curbs-plus.com)

MODEL NO

CFR3-5

WEIGHT

90 LBS