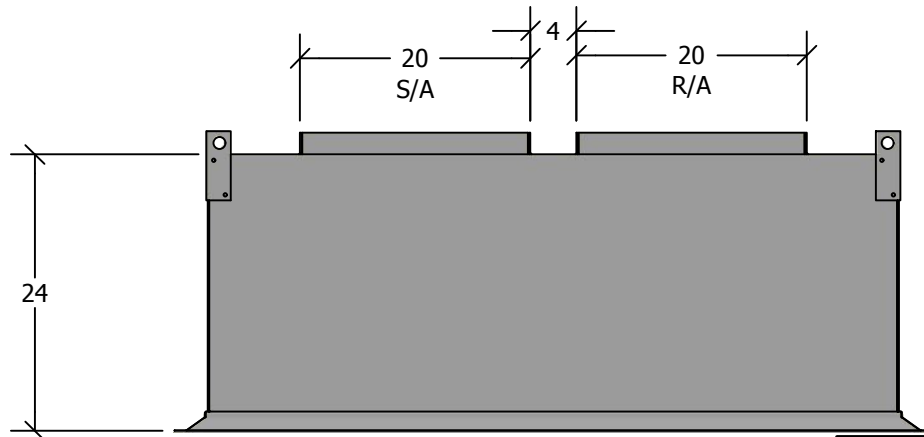


Concentric Diffuser System



STANDARD FEATURES

1. G-90 Galvanized Steel Construction.
2. 1" 1-1/2 lb. Duct Liner.
3. Aluminum Louverd Face Grille with Egg Crate Return.
4. Exposed Surfaces Painted Off White Enamel.
5. Fully Assembled.
6. Designed for Lay In Ceiling Installation.
7. Engineered Curb and Duct Packages Available.

QTY TAG

JOB NAME

CURBS PLUS, INC.
www.curbs-plus.com

NOM CFM 8,000	MODEL NO CFS20	WEIGHT 178 LBS.
THROW 30'-49'	P.D. .19	NC 45
		NECK VEL. 1,833