

APPROVED BY: \_\_\_\_\_

DATE APPROVED: \_\_\_\_\_

**CPM-9 (Insulated) (1-Piece) Metal Bldg. Roof Curb**

**STANDARD FEATURES**

1. 18Ga. Prime Galvalume Steel Construction
2. Corners Mitered and Welded Watertight.
3. Curbs Prime Painted after Fabrication.
4. Water Cricket.
5. 8" Minimum Height.
6. No Front Clips.
7. Internal Angle Reinforcing.
8. 1-1/2" Thick, 3# Density Fiberglass.

**OPTIONS:**

- 1.
- 2.
- 3.
- 4.

PROJECT NAME: \_\_\_\_\_

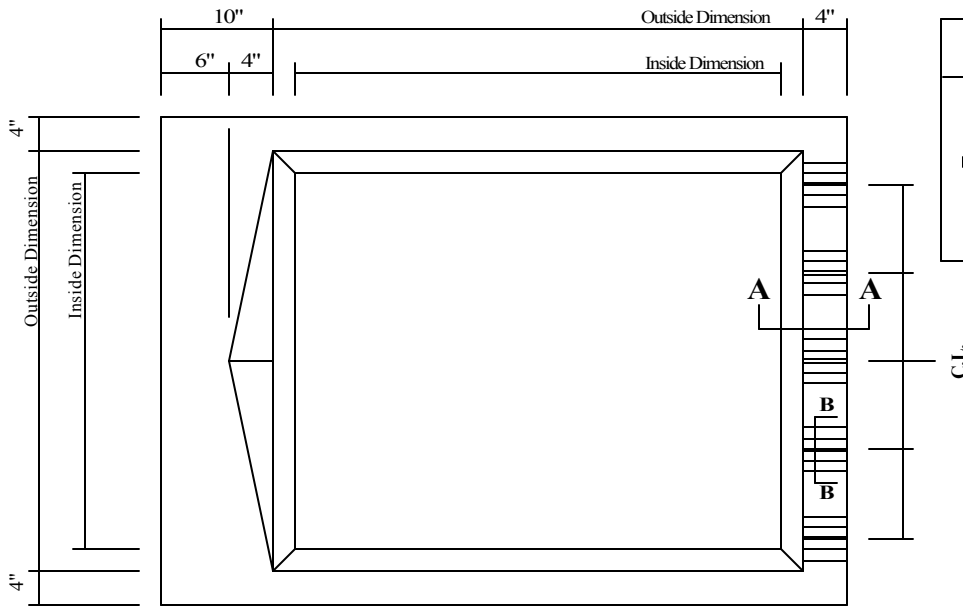
CITY, STATE: \_\_\_\_\_

CUSTOMER: \_\_\_\_\_

JOB NUMBER: \_\_\_\_\_

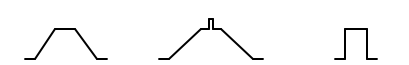
**Note: The Front Flange Fits Under the Roof Panel  
The Rear and Side Flanges Fit Over the Roof Panel**

CLIPS TO MATCH THIS ROOF PANEL \_\_\_\_\_



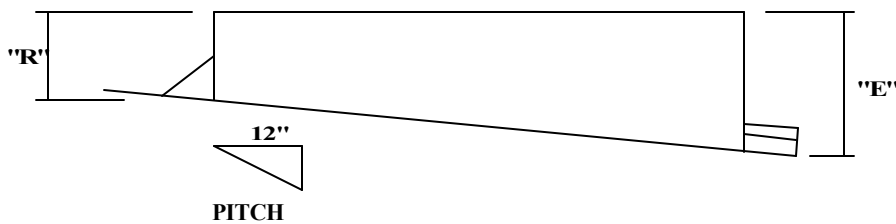
**PLAN VIEW**

Number of Over Clips Per Curb \_\_\_\_\_

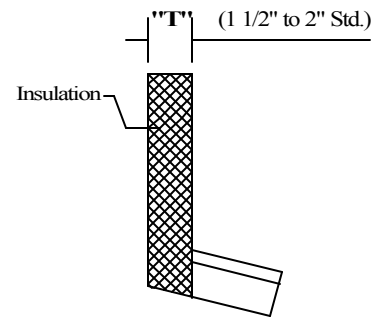


"R" PANEL    "SSR" PANEL    "T" PANEL

**SECTION B-B**  
(Over-Clips)



**ELEVATION**



**SECTION A-A**

QUANTITY	INSIDE DIMENSION	OUTSIDE DIMENSION	"R"	"E"	"T"	TAG
	x	x				