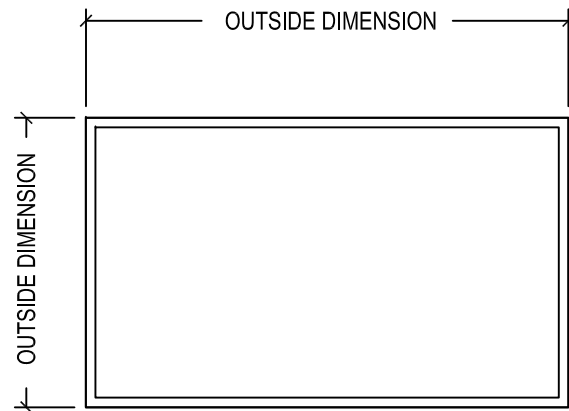


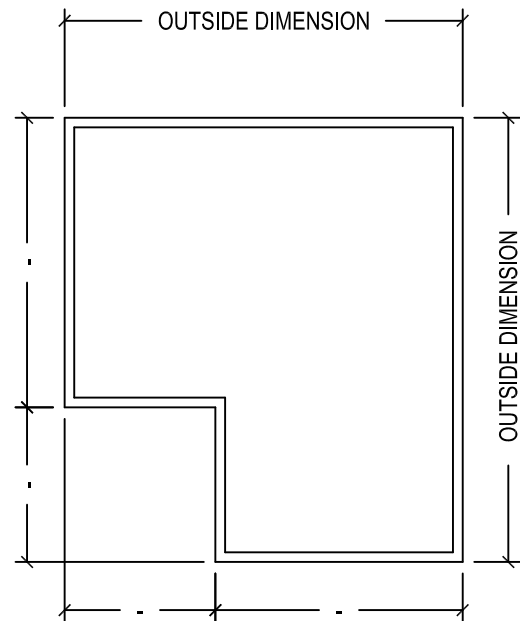
FIELD DIMENSIONS TAKEN BY:

DATE:

STEP 1. PLEASE IDENTIFY WHICH CURB IS BEING USED.



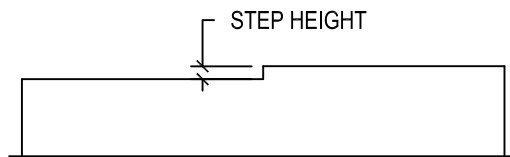
RECTANGULAR



NON-RECTANGULAR ("L" OR "T" SHAPED)

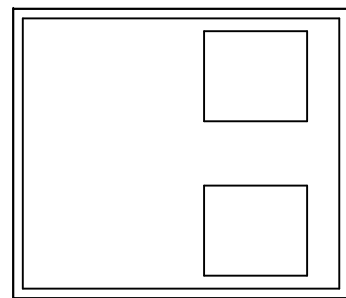


FLAT ON TOP

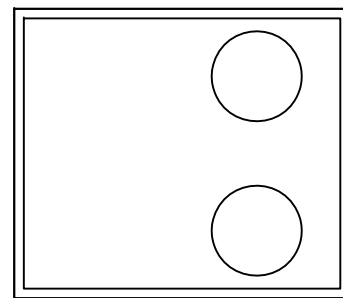


TOP STEPS UP

STEP 2. DUCT SHAPE.

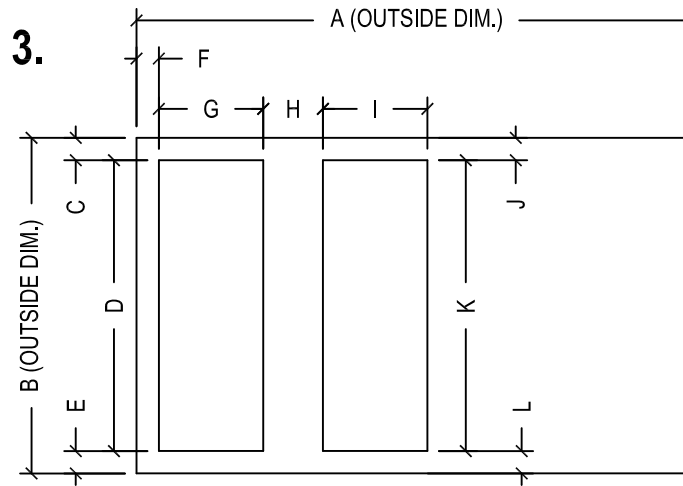


RECTANGULAR / SQUARE ?

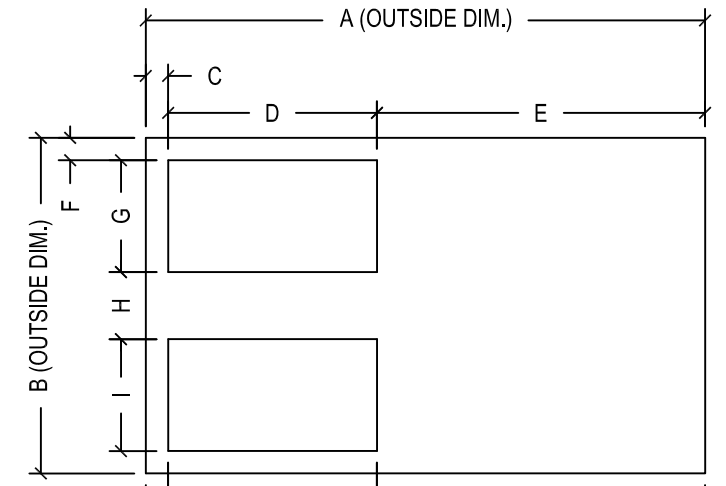


ROUND?

STEP 3.



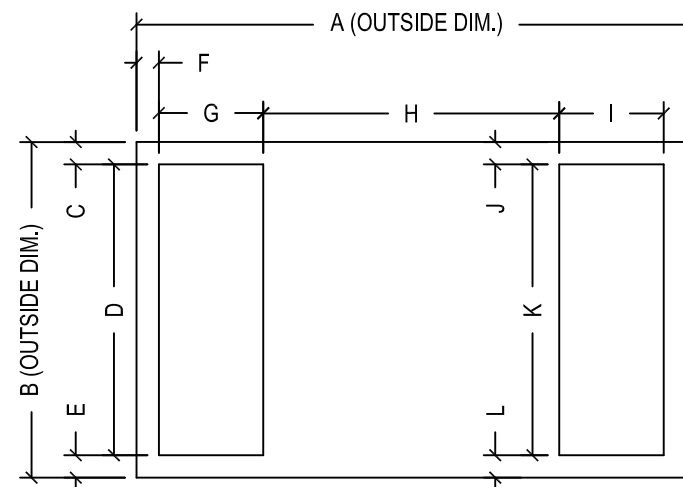
AT ONE END



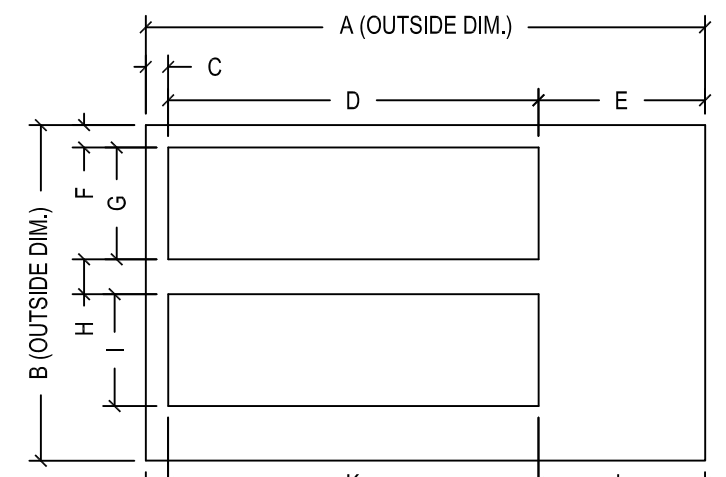
OVER/UNDER

NOTE: PLEASE MARK S/A & R/A ON DUCT DRAWING LAYOUT.

A	B	C	D	E	F
G	H	I	J	K	L



AT OPPOSITE ENDS



SIDE BY SIDE

NOTE: PLEASE FILL IN ALL DIMENSIONS "A" THROUGH "L" & MARK OPENINGS AS SUPPLY OR RETURN. PLEASE MARK ANY OBSTRUCTIONS AROUND THE EXISTING CURB THAT MAY INTERFERE WITH THE NEW ADAPTER.

CURBS PLUS, INC.

8767 Alabama Hwy
Ringgold, GA 30736
Phone: (706) 858-1188 / Fax: (706) 866-2339
website: www.curbs-plus.com

CURBS-PLUS EXISTING CURB VERIFICATION SHEET

Confidential and propriety information of Curbs Plus, Inc. unauthorized use, disclosure, or reproduction is expressly prohibited.

QTY:

NEW UNIT:

TAG:

OLD UNIT: