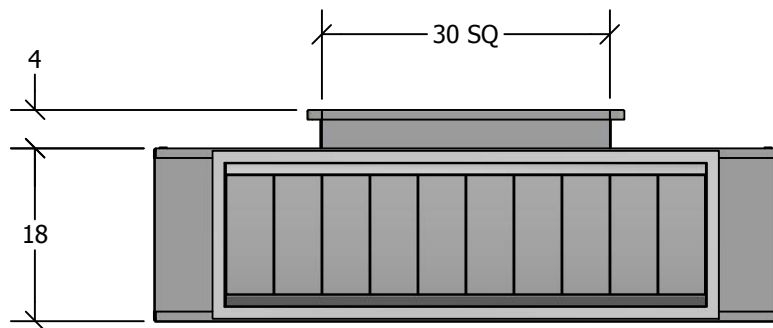


DRUM LOUVER PLENUM-DIFFUSER



STANDARD FEATURES

1. G-90 Galvanized Steel Construction.
2. Turning Vanes in Each Quadrant.
3. 1" 1-1/2 lb. Duct Liner.
4. Vertical and Horizontal Adjustable Drum Louver.
5. Fully Assembled
6. TDC Duct Connections Provided.
7. 3/8" Threaded Inserts for Mounting.
8. Engineered Curb and Duct Packages Available.

NOM CFM 7,000/8,000	MODEL NO DLPD2 5015-17.5/20	WEIGHT 143 LBS
0° DEFLECTION		
THROW 77'-142'	P.D. .09"/.12"	NC 32/37
30° DEFLECTION		
THROW 53'-97'	P.D. .16"/.21"	NC 40/45

QTY TAG

JOB NAME


CURBS PLUS, INC.
www.curbs-plus.com