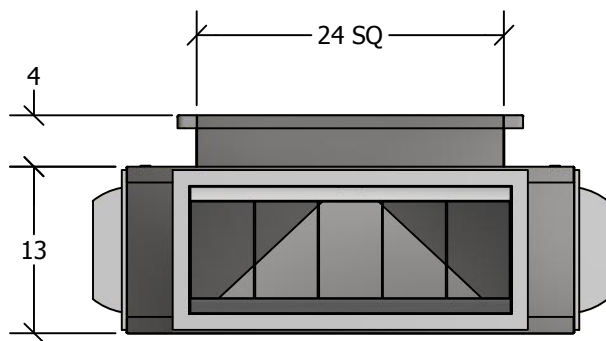


## DRUM LOUVER PLENUM-DIFFUSER



### STANDARD FEATURES

1. G-90 Galvanized Steel Construction.
2. Turning Vanes in Each Quadrant.
3. 1" 1-1/2 lb. Duct Liner.
4. Vertical and Horizontal Adjustable Drum Louver.
5. Fully Assembled
6. TDC Duct Connections Provided.
7. 3/8" Threaded Inserts for Mounting.
8. Engineered Curb and Duct Packages Available.

NOM CFM	MODEL NO	WEIGHT
4,000/5,000	DLPD3 2510-10/12.5	172 LBS

0° DEFLECTION

THROW	P.D.	NC
52-90	.264	41

30° DEFLECTION

THROW	P.D.	NC
35-62	.4752	49

QTY TAG

JOB NAME

  
**CURBS PLUS, INC.**  
[www.curbs-plus.com](http://www.curbs-plus.com)