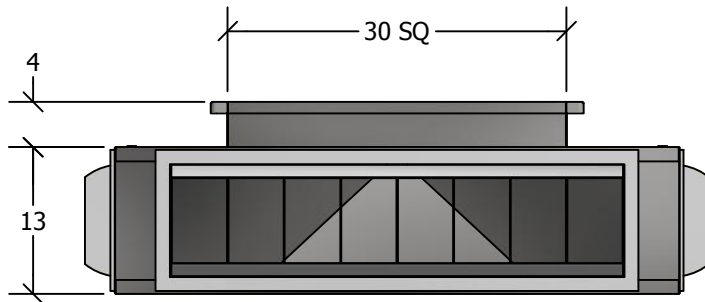


DRUM LOUVER PLENUM-DIFFUSER



STANDARD FEATURES

1. G-90 Galvanized Steel Construction.
2. Turning Vanes in Each Quadrant.
3. 1" 1-1/2 lb. Duct Liner.
4. Vertical and Horizontal Adjustable Drum Louver.
5. Fully Assembled
6. TDC Duct Connections Provided.
7. 3/8" Threaded Inserts for Mounting.
8. Engineered Curb and Duct Packages Available.

NOM CFM 7,000/8,000	MODEL NO DLPD3 4010-17.5/20	WEIGHT 183 LBS
------------------------	--------------------------------	-------------------

0° DEFLECTION

THROW 65-114	P.D. .233	NC 42
-----------------	--------------	----------

30° DEFLECTION

THROW 44-79	P.D. .4194	NC 50
----------------	---------------	----------

QTY TAG

JOB NAME


CURBS PLUS, INC.
www.curbs-plus.com