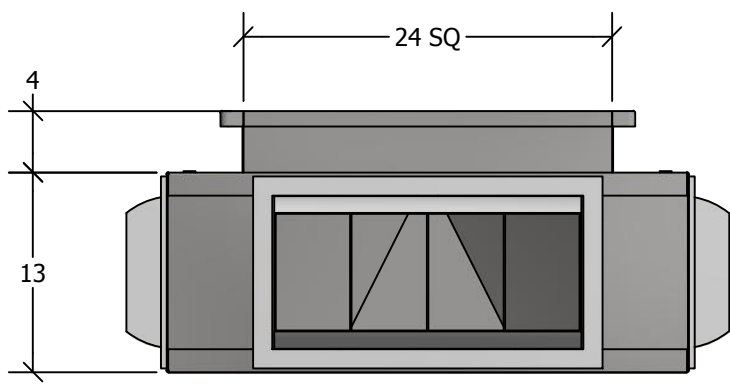


## DRUM LOUVER PLENUM-DIFFUSER WITH DAMPERS



### STANDARD FEATURES

1. G-90 Galvanized Steel Construction.
2. Turning Vanes in Each Quadrant.
3. 1" 1-1/2 lb. Duct Liner.
4. Vertical and Horizontal Adjustable Drum Louver.
5. Fully Assembled
6. TDC Duct Connections Provided.
7. 3/8" Threaded Inserts for Mounting.
8. Engineered Curb and Duct Packages Available.

NOM CFM 4,000/5,000	MODEL NO DLPD-WD 2010-10/12.5	WEIGHT 101 LBS
0° DEFLECTION		
THROW 94'/103'	P.D. .14/.194	NC 28/35
30° DEFLECTION		
THROW 65'/72'	P.D. .239/.344	NC 37/44

QTY TAG

JOB NAME

**CURBS PLUS, INC.**  
www.curbs-plus.com