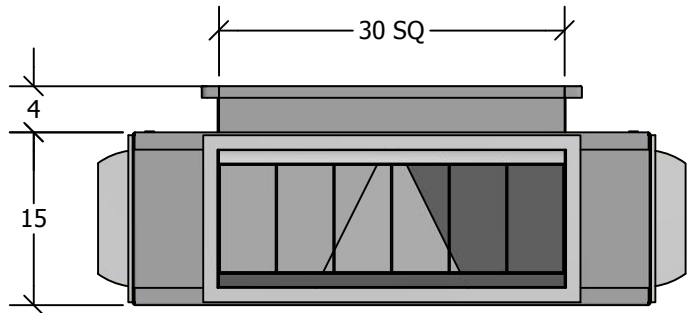


DRUM LOUVER PLENUM-DIFFUSER WITH DAMPERS



STANDARD FEATURES

1. G-90 Galvanized Steel Construction.
2. Turning Vanes in Each Quadrant.
3. 1" 1-1/2 lb. Duct Liner.
4. Vertical and Horizontal Adjustable Drum Louver.
5. Fully Assembled
6. TDC Duct Connections Provided.
7. 3/8" Threaded Inserts for Mounting.
8. Engineered Curb and Duct Packages Available.

NOM CFM 7,000/8,000	MODEL NO DLPD-WD 3012-17.5/20	WEIGHT 157 LBS
0° DEFLECTION		
THROW 110'/120'	P.D. .18/.231	NC 29/32
30° DEFLECTION		
THROW 77'/84'	P.D. .339/.443	NC 38/41

QTY TAG

JOB NAME


CURBS PLUS, INC.
www.curbs-plus.com