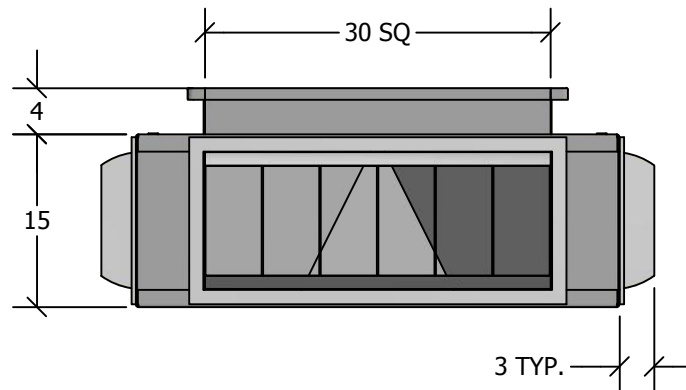


DRUM LOUVER PLENUM-DIFFUSER



STANDARD FEATURES

1. G-90 Galvanized Steel Construction.
2. Turning Vanes in Each Quadrant.
3. 1" 1-1/2 lb. Duct Liner.
4. Vertical and Horizontal Adjustable Drum Louver.
5. Fully Assembled
6. TDC Duct Connections Provided.
7. 3/8" Threaded Inserts for Mounting.
8. Engineered Curb and Duct Packages Available.

| | | |
|------------------------|-------------------------------|-------------------|
| NOM CFM 7,000/8,000 | MODEL NO DLPD 3012-17.5/20 | WEIGHT 142 LBS |
| 0° DEFLECTION | | |
| THROW 110'/120' | P.D. .18/.231 | NC 29/32 |
| 30° DEFLECTION | | |
| THROW 77'/84' | P.D. .339/.443 | NC 38/41 |


CURBS PLUS, INC.
www.curbs-plus.com

QTY TAG

JOB NAME