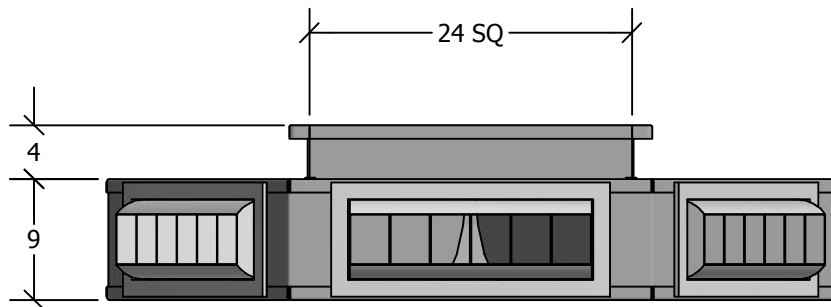


DRUM LOUVER PLENUM-DIFFUSER



STANDARD FEATURES

1. G-90 Galvanized Steel Construction.
2. Turning Vanes in Each Quadrant.
3. 1" 1-1/2 lb. Duct Liner.
4. Vertical and Horizontal Adjustable Drum Louver.
5. Fully Assembled
6. TDC Duct Connections Provided.
7. 3/8" Threaded Inserts for Mounting.
8. Engineered Curb and Duct Packages Available.

| | | |
|------------------|---------------------------|-------------------|
| NOM CFM 4,000 | MODEL NO DLPD6 1806-10 | WEIGHT 160 LBS |
| 0° DEFLECTION | | |
| THROW 63' | P.D. .26 | NC 31 |
| 30° DEFLECTION | | |
| THROW 42' | P.D. .47 | NC 38 |

QTY TAG

JOB NAME


CURBS PLUS, INC.
www.curbs-plus.com