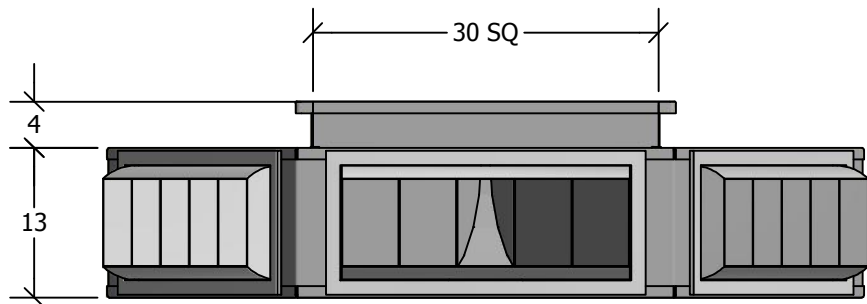


DRUM LOUVER PLENUM-DIFFUSER



STANDARD FEATURES

1. G-90 Galvanized Steel Construction.
2. Turning Vanes in Each Quadrant.
3. 1" 1-1/2 lb. Duct Liner.
4. Vertical and Horizontal Adjustable Drum Louver.
5. Fully Assembled
6. TDC Duct Connections Provided.
7. 3/8" Threaded Inserts for Mounting Available.
8. Engineered Curb and Duct Packages Available.

NOM CFM	8,000	MODEL NO	DLPD6 2510-20	WEIGHT	210 LBS
0° DEFLECTION					
THROW	88'	P.D.	.20	NC	34
30° DEFLECTION					
THROW	58'	P.D.	.36	NC	44

QTY TAG

JOB NAME


CURBS PLUS, INC.
www.curbs-plus.com