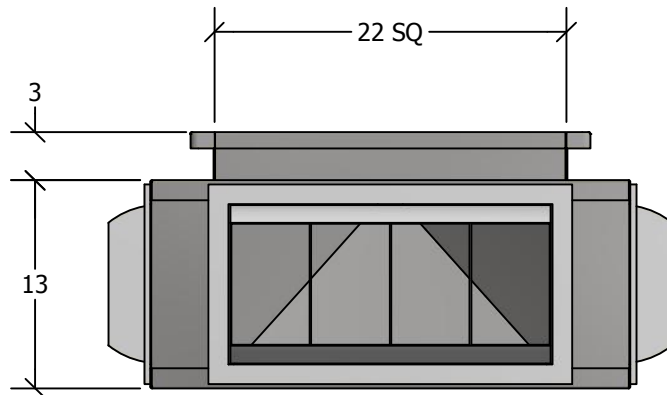


## DRUM LOUVER PLENUM-DIFFUSER



### STANDARD FEATURES

1. G-90 Galvanized Steel Construction.
2. Turning Vanes in Each Quadrant.
3. 1" 1-1/2 lb. Duct Liner.
4. Vertical and Horizontal Adjustable Drum Louver.
5. Fully Assembled
6. TDC Duct Connections Provided.
7. 3/8" Threaded Inserts for Mounting Available.
8. Engineered Curb and Duct Packages Available.

NOM CFM 4,000	MODEL NO DLPD3 2010-10	WEIGHT 139 LBS
0° DEFLECTION		
THROW 33-57	P.D. .292	NC 40
30° DEFLECTION		
THROW 29-50	P.D. .5256	NC 48

QTY TAG

JOB NAME

  
**CURBS PLUS, INC.**  
[www.curbs-plus.com](http://www.curbs-plus.com)