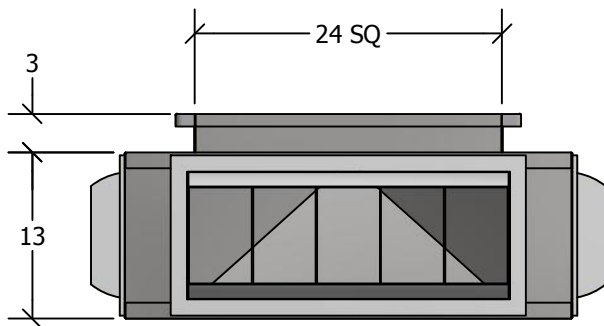


DRUM LOUVER PLENUM-DIFFUSER



STANDARD FEATURES

1. G-90 Galvanized Steel Construction.
2. Turning Vanes in Each Quadrant.
3. 1" 1-1/2 lb. Duct Liner.
4. Vertical and Horizontal Adjustable Drum Louver.
5. Fully Assembled
6. TDC Duct Connections Provided.
7. 3/8" Threaded Inserts for Mounting Available.
8. Engineered Curb and Duct Packages Available.

NOM CFM 5,000	MODEL NO DLPD3 2510-12.5	WEIGHT 172 LBS
0° DEFLECTION		
THROW 52-90	P.D. .264	NC 41
30° DEFLECTION		
THROW 35-62	P.D. .4752	NC 49

QTY TAG

JOB NAME


CURBS PLUS, INC.
www.curbs-plus.com