

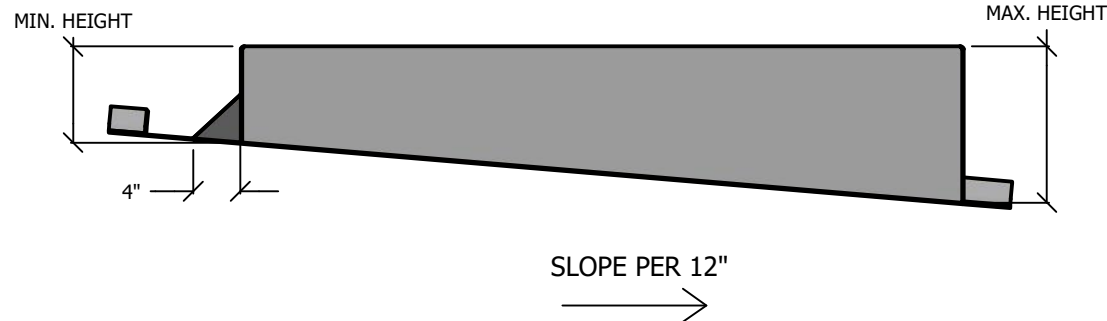
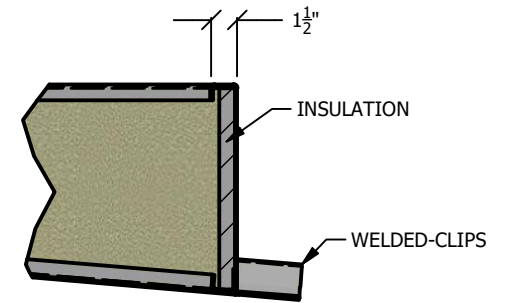
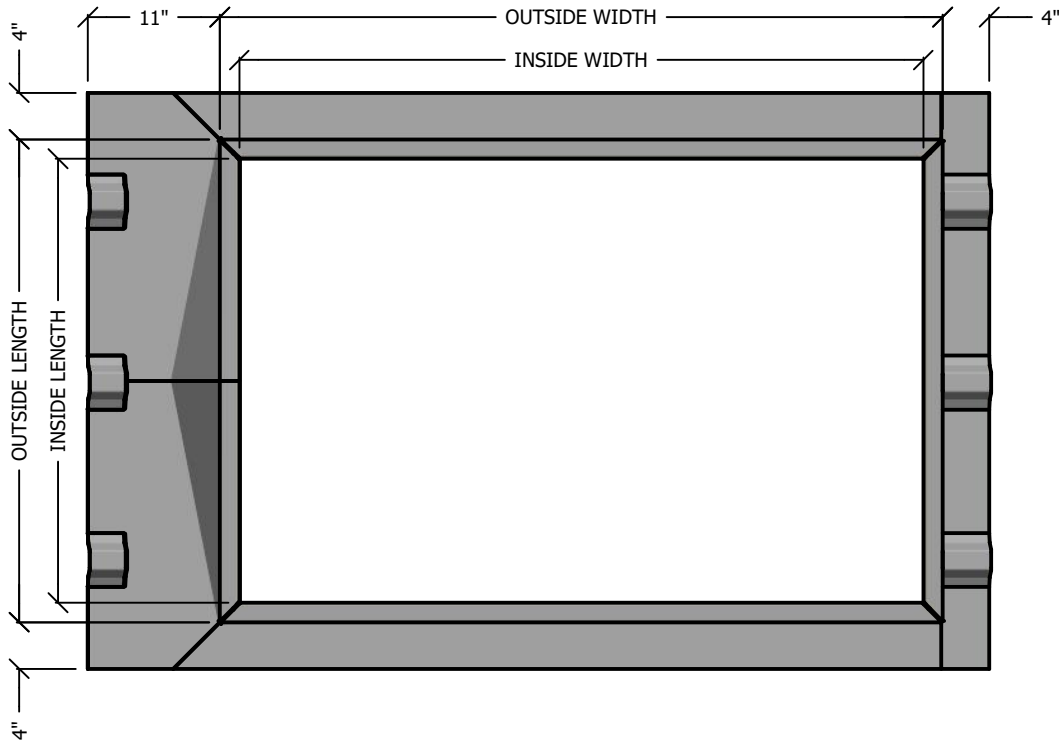
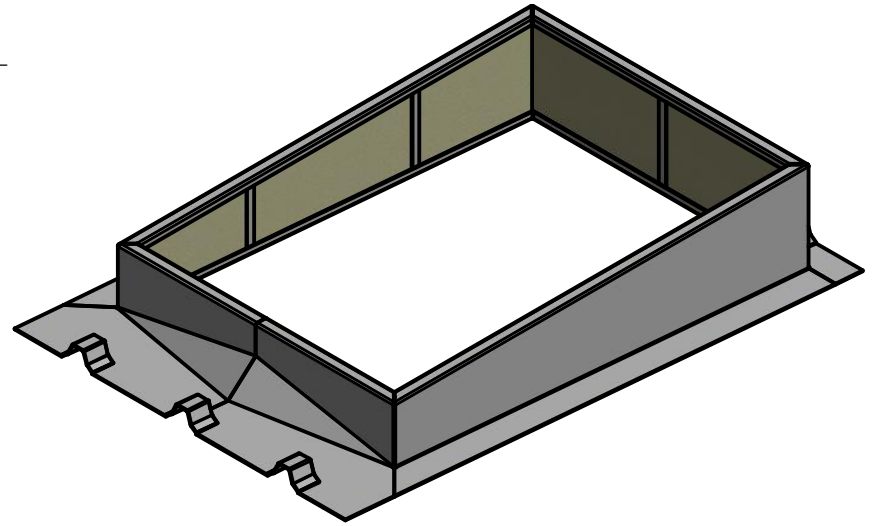
CPM-3 (INSULATED) METAL BLDG. ROOF CURB

STANDARD FEATURES

1. Fully Welded Watertight One-piece Construction.
2. Prime Painted after Fabrication.

CLIPS TO MATCH ROOF PANEL _____

NUMBER OF OVER CLIPS PER CURB _____



NEEDED DIMENSIONS	
OUTSIDE WIDTH	
INSIDE WIDTH	
OUTSIDE LENGTH	
INSIDE LENGTH	
MIN. HEIGHT	
MAX. HEIGHT	
SLOPE PER 12"	

CURBS PLUS, INC.

Phone: 888-639-2872
Website: curbsplus.com

DRAWING DATE:	REVISION DATE:	DRAWN BY: J. LONG
MATERIAL:		SALE CONTACT NAME:
INSULATION: 1 1/2" 3# DENSITY		APPOX. WEIGHT
MODEL #: CPM 3		
QTY:	TAG.	