

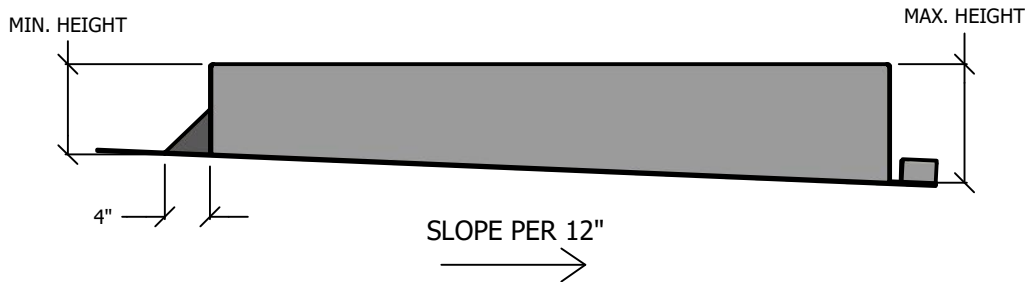
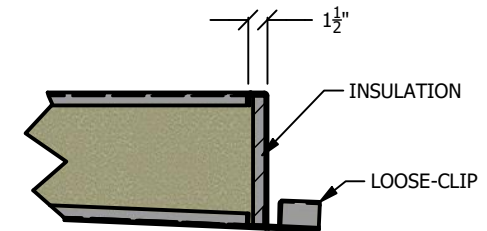
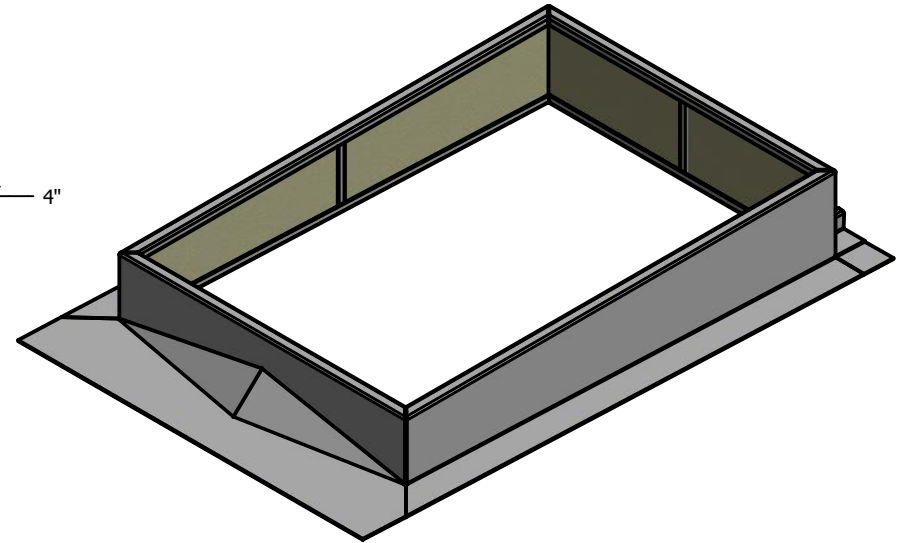
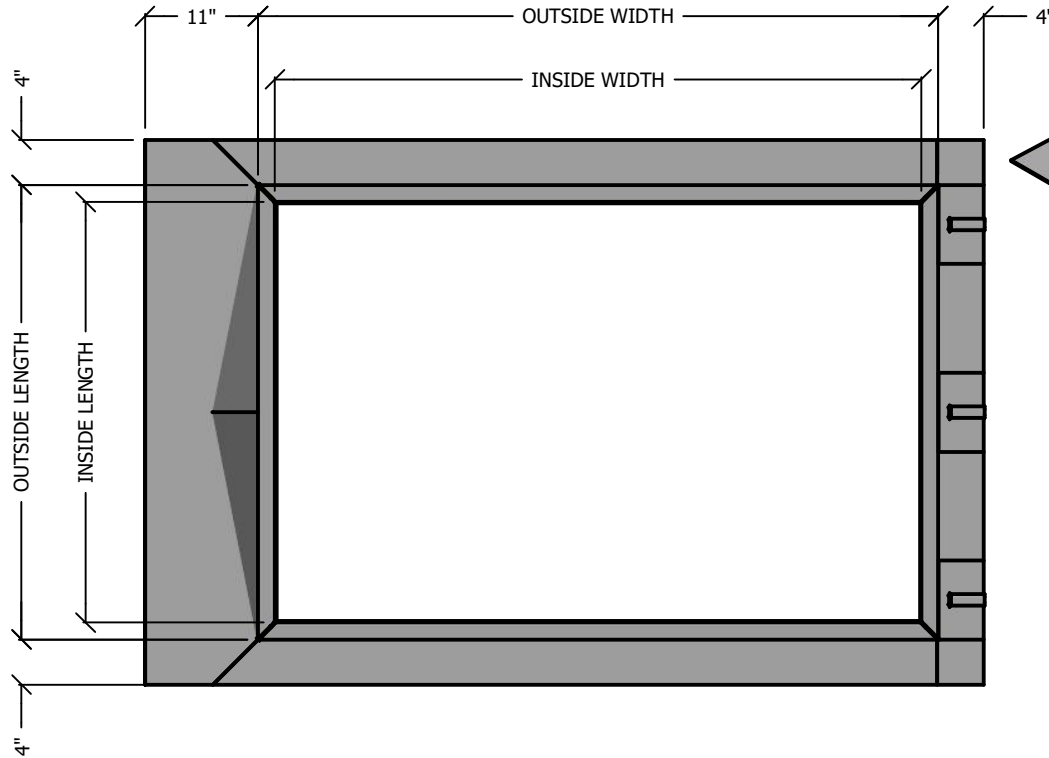
CPM-9 (INSULATED) METAL BLDG. ROOF CURB

STANDARD FEATURES

1. Fully Welded Watertight One-piece Construction.
2. Prime Painted after Fabrication.

CLIPS TO MATCH ROOF PANEL _____

NUMBER OF OVER CLIPS PER CURB _____



| NEEDED DIMENSIONS | |
|-------------------|--|
| OUTSIDE WIDTH | |
| INSIDE WIDTH | |
| OUTSIDE LENGTH | |
| INSIDE LENGTH | |
| MIN. HEIGHT | |
| MAX. HEIGHT | |
| SLOPE PER 12" | |


CURBS PLUS, INC.
 Phone: 888-639-2872
 Website: curbsplus.com

| | | |
|-------------------------------|----------------|--------------------|
| DRAWING DATE: | REVISION DATE: | DRAWN BY: J. LONG |
| MATERIAL: | | SALE CONTACT NAME: |
| INSULATION: 1 1/2" 3# DENSITY | | APPOX. WEIGHT |
| MODEL #: | | |
| QTY: | TAG. | |