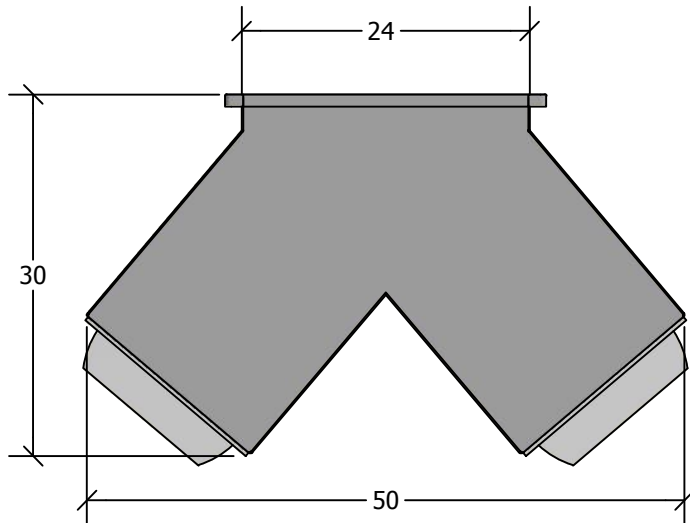


SLANT FACE DRUM LOUVER PLENUM-DIFFUSER



STANDARD FEATURES

1. G-90 Galvanized Steel Construction.
2. Turning Vanes in Each Quadrant.
3. 1" 1-1/2 lb. Duct Liner.
4. Vertical and Horizontal Adjustable Drum Louver.
5. Fully Assembled
6. TDC Duct Connections Provided.
7. Engineered Curb and Duct Packages Available.

NOM CFM 10,000	MODEL NO SFDD2 5015-25	WEIGHT 225 LBS
0° DEFLECTION		
THROW 89'-154'	P.D. .115"	NC 38
30° DEFLECTION		
THROW 61'-106'	P.D. .2"	NC 46

QTY TAG

JOB NAME


CURBS PLUS, INC.
www.curbs-plus.com