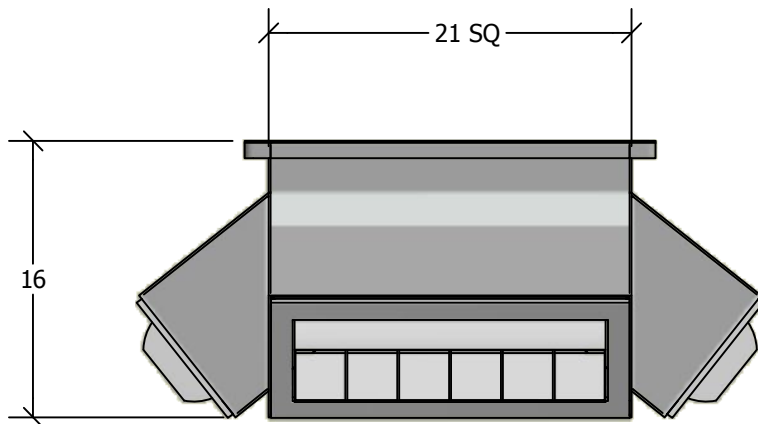


## SLANT FACE DRUM LOUVER PLENUM-DIFFUSER



### STANDARD FEATURES

1. G-90 Galvanized Steel Construction.
2. Turning Vanes in Each Quadrant.
3. 1" 1-1/2 lb. Duct Liner.
4. Vertical and Horizontal Adjustable Drum Louver.
5. Fully Assembled
6. TDC Duct Connections Provided.
7. Engineered Curb and Duct Packages Available.

NOM CFM 2,000	MODEL NO SFDD 1806-5	WEIGHT 36 LBS
0° DEFLECTION		
THROW 30'-52'	P.D. .18	NC 17"
30° DEFLECTION		
THROW 20'-35'	P.D. .33"	NC 25

QTY TAG

JOB NAME

  
**CURBS PLUS, INC.**  
[www.curbs-plus.com](http://www.curbs-plus.com)