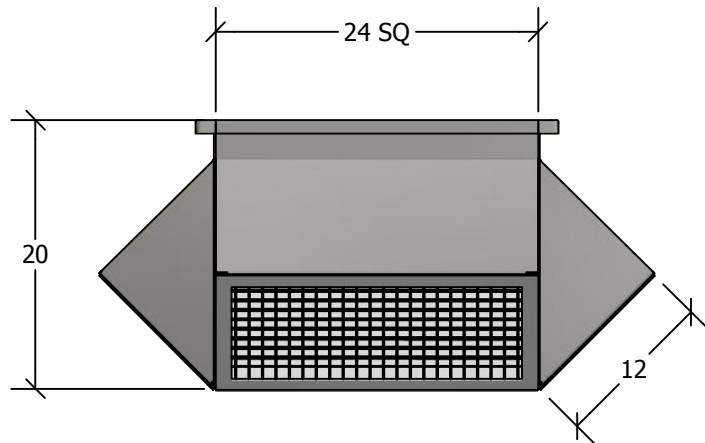


## SLANT FACE PLENUM DIFFUSER



### STANDARD FEATURES

1. G-90 Galvanized Steel Construction.
2. Turning Vanes in Each Quadrant.
3. 1" 1-1/2 lb. Duct Liner.
4. Vertical and Horizontal Adjustable Deflection Grilles.
5. Fully Assembled
6. TDC Duct Connections Provided.
7. 3/8" Threaded Inserts for Mounting Available.
8. Engineered Curb and Duct Packages Available.

NOM CFM 4,000	MODEL NO SFPD 2210-10	WEIGHT 56 LBS
0° DEFLECTION		
THROW 56'	P.D. .12	NC 29
22 1/2° DEFLECTION		
THROW 43'	P.D. .13	NC 30
45° DEFLECTION		
THROW 25'	P.D. .20	NC 36

QTY TAG

JOB NAME

  
**CURBS PLUS, INC.**  
[www.curbs-plus.com](http://www.curbs-plus.com)