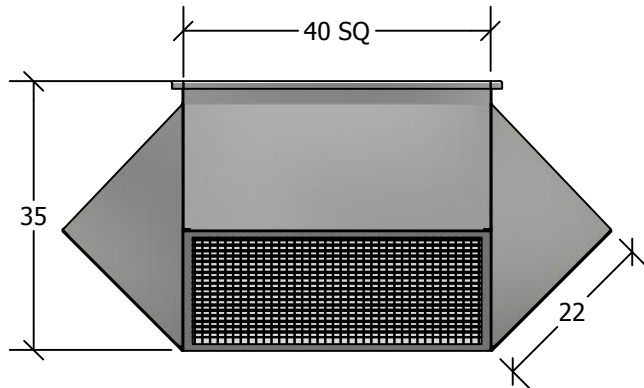


SLANT FACE PLENUM DIFFUSER



STANDARD FEATURES

1. G-90 Galvanized Steel Construction.
2. Turning Vanes in Each Quadrant.
3. 1" 1-1/2 lb. Duct Liner.
4. Vertical and Horizontal Adjustable Deflection Grilles.
5. Fully Assembled
6. TDC Duct Connections Provided.
7. 3/8" Threaded Inserts for Mounting Available.
8. Engineered Curb and Duct Packages Available.

NOM CFM 15,000	MODEL NO SFPD 3820-40	WEIGHT 220 LBS
0° DEFLECTION		
THROW 110'	P.D. .12	NC 36
22 1/2° DEFLECTION		
THROW 85'	P.D. .14	NC 37
45° DEFLECTION		
THROW 49'	P.D. .20	NC 43

QTY TAG

JOB NAME


CURBS PLUS, INC.
www.curbs-plus.com