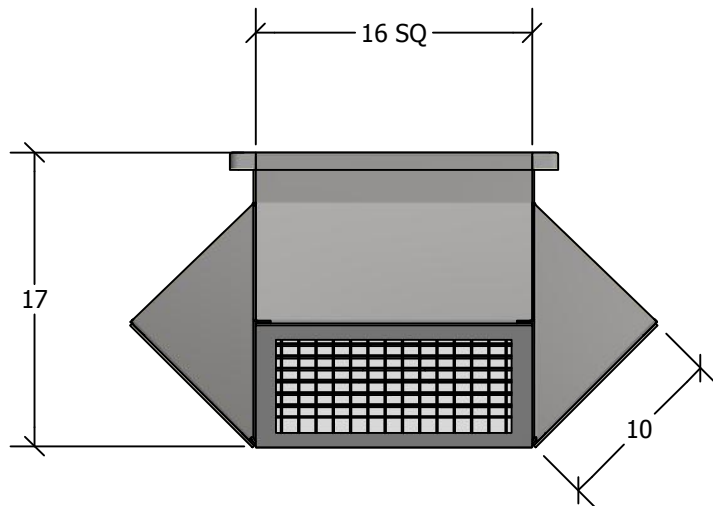


## SLANT FACE PLENUM DIFFUSER



### STANDARD FEATURES

1. G-90 Galvanized Steel Construction.
2. Turning Vanes in Each Quadrant.
3. 1" 1-1/2 lb. Duct Liner.
4. Vertical and Horizontal Adjustable Deflection Grilles.
5. Fully Assembled
6. TDC Duct Connections Provided.
7. Engineered Curb and Duct Packages Available

NOM CFM 2,000	MODEL NO SFPD 1408-5	WEIGHT 33 LBS
0° DEFLECTION		
THROW 41'	P.D. .13	NC 29
22 1/2° DEFLECTION		
THROW 32'	P.D. .14	NC 30
45° DEFLECTION		
THROW 19'	P.D. .21	NC 36

QTY TAG

JOB NAME

  
**CURBS PLUS, INC.**  
[www.curbs-plus.com](http://www.curbs-plus.com)