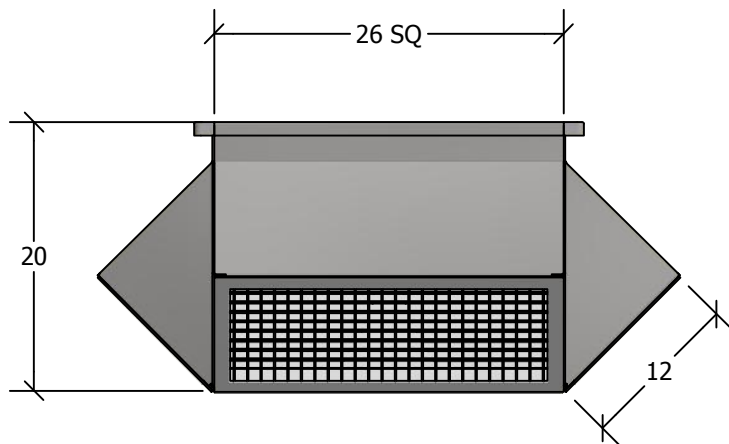


SLANT FACE PLENUM DIFFUSER



STANDARD FEATURES

1. G-90 Galvanized Steel Construction.
2. Turning Vanes in Each Quadrant.
3. 1" 1-1/2 lb. Duct Liner.
4. Vertical and Horizontal Adjustable Deflection Grilles.
5. Fully Assembled
6. TDC Duct Connections Provided.
7. Engineered Curb and Duct Packages Available.

NOM CFM 5,000	MODEL NO SFPD 2410-12.5	WEIGHT 65 LBS
0° DEFLECTION		
THROW 66'	P.D. .15	NC 35
22 1/2° DEFLECTION		
THROW 51'	P.D. .16	NC 36
45° DEFLECTION		
THROW 30'	P.D. .23	NC 42

QTY TAG

JOB NAME


CURBS PLUS, INC.
www.curbs-plus.com