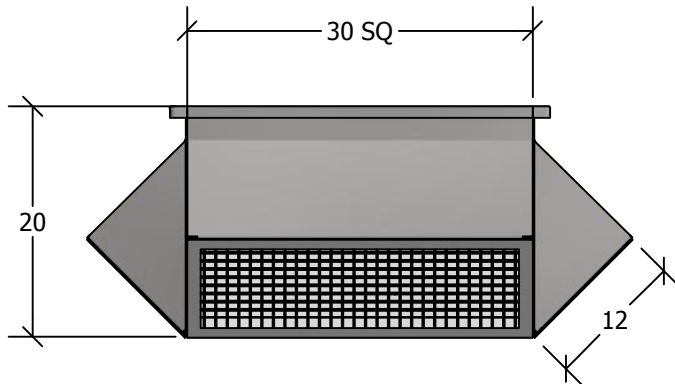


SLANT FACE PLENUM DIFFUSER



STANDARD FEATURES

1. G-90 Galvanized Steel Construction.
2. Turning Vanes in Each Quadrant.
3. 1" 1-1/2 lb. Duct Liner.
4. Vertical and Horizontal Adjustable Deflection Grilles.
5. Fully Assembled
6. TDC Duct Connections Provided.
7. Engineered Curb and Duct Packages Available.

| | | | | | |
|--------------------|-------|----------|--------------|--------|--------|
| NOM CFM | 6,000 | MODEL NO | SFPD 2810-15 | WEIGHT | 71 LBS |
| 0° DEFLECTION | | | | | |
| THROW | 72' | P.D. | .15 | NC | 35 |
| 22 1/2° DEFLECTION | | | | | |
| THROW | 56' | P.D. | .16 | NC | 36 |
| 45° DEFLECTION | | | | | |
| THROW | 33' | P.D. | .23 | NC | 42 |

QTY TAG

JOB NAME


CURBS PLUS, INC.
www.curbs-plus.com