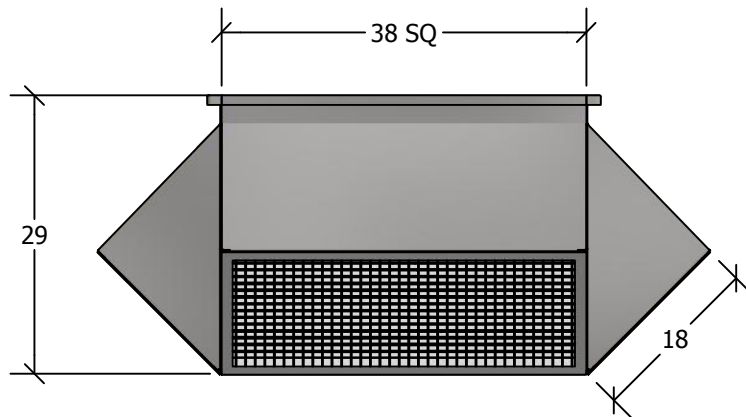


## SLANT FACE PLENUM DIFFUSER



### STANDARD FEATURES

1. G-90 Galvanized Steel Construction.
2. Turning Vanes in Each Quadrant.
3. 1" 1-1/2 lb. Duct Liner.
4. Vertical and Horizontal Adjustable Deflection Grilles.
5. Fully Assembled
6. TDC Duct Connections Provided.
7. Engineered Curb and Duct Packages Available.

NOM CFM	MODEL NO	WEIGHT
10,000	SFPD 3616-25	122 LBS
0° DEFLECTION		
THROW 90'	P.D. .11	NC 30
22 1/2° DEFLECTION		
THROW 70'	P.D. .12	NC 32
45° DEFLECTION		
THROW 40'	P.D. .17	NC 38

QTY TAG

JOB NAME

  
**CURBS PLUS, INC.**  
[www.curbs-plus.com](http://www.curbs-plus.com)