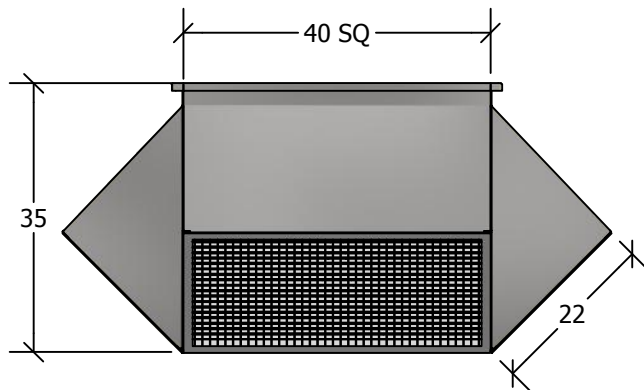


SLANT FACE PLENUM DIFFUSER



STANDARD FEATURES

1. G-90 Galvanized Steel Construction.
2. Turning Vanes in Each Quadrant.
3. 1" 1-1/2 lb. Duct Liner.
4. Vertical and Horizontal Adjustable Deflection Grilles.
5. Fully Assembled
6. TDC Duct Connections Provided.
7. Engineered Curb and Duct Packages Available.

NOM CFM 15,000	MODEL NO SFPD 3820-40	WEIGHT 220 LBS
0° DEFLECTION		
THROW 110'	P.D. .12	NC 36
22 1/2° DEFLECTION		
THROW 85'	P.D. .14	NC 37
45° DEFLECTION		
THROW 49'	P.D. .20	NC 43

QTY TAG

JOB NAME


CURBS PLUS, INC.
www.curbs-plus.com