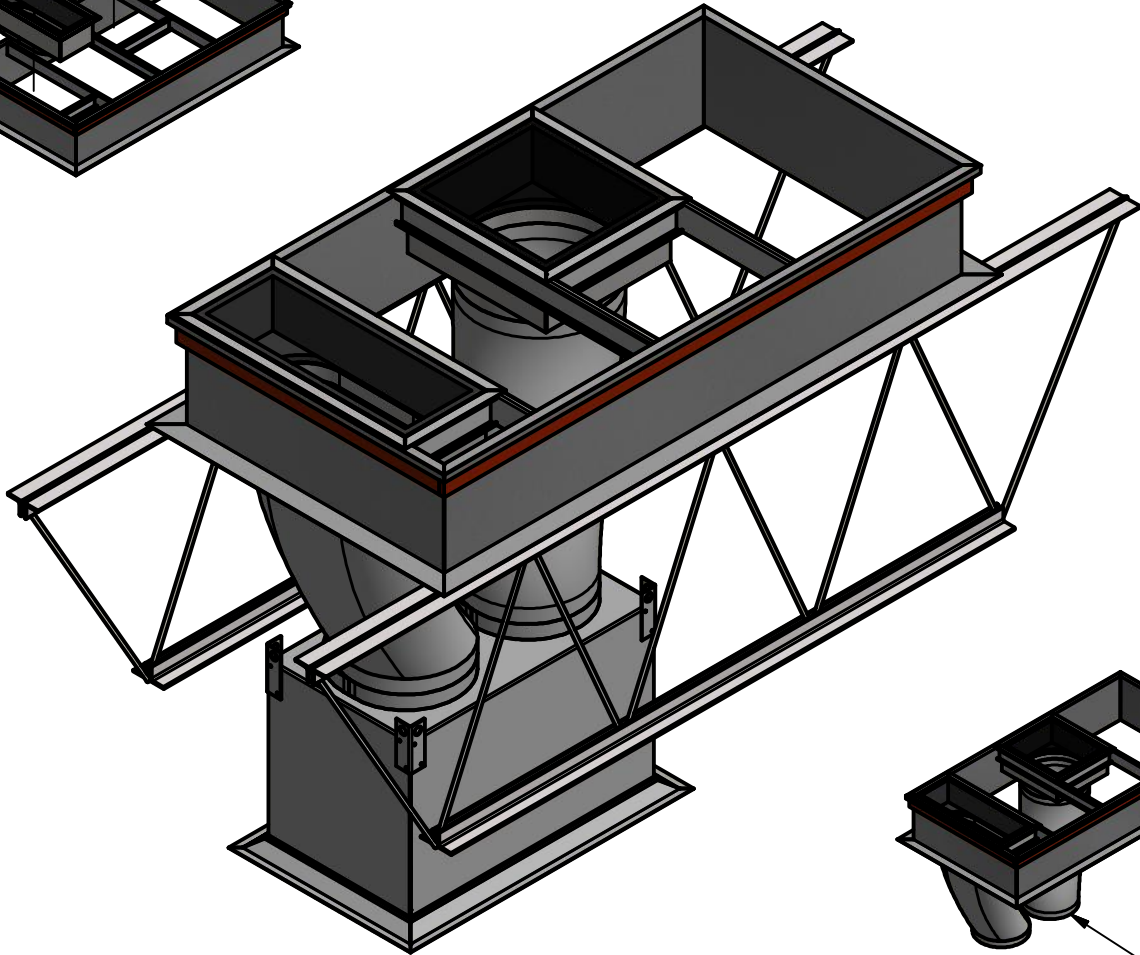
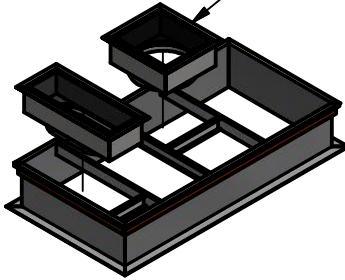


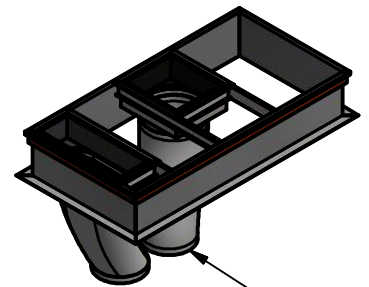
Flush Mount Concentric Diffuser

with Drop-in Pans and Flex Duct

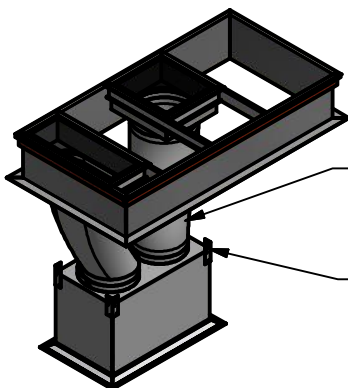
STEP 1. BEFORE HVAC UNIT IS PLACED ON CURB
INSTALL INSULATED DROP-IN PANS.



STEP 2. CONNECT FLEX-DUCT
TO THE DROP-IN PANS.



STEP 3. CONNECT FLEX-DUCT TO
THE CONCENTRIC DIFFUSER.



STEP 4. FIELD SUPPORT WITH
CHAIN AND TURNBUCKLES (BY OTHERS).