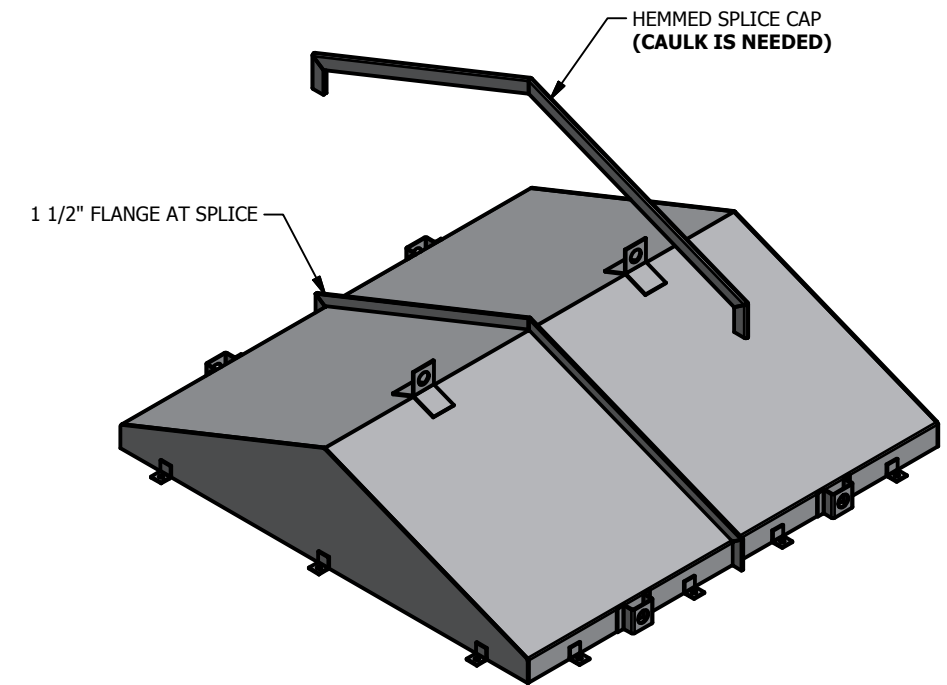
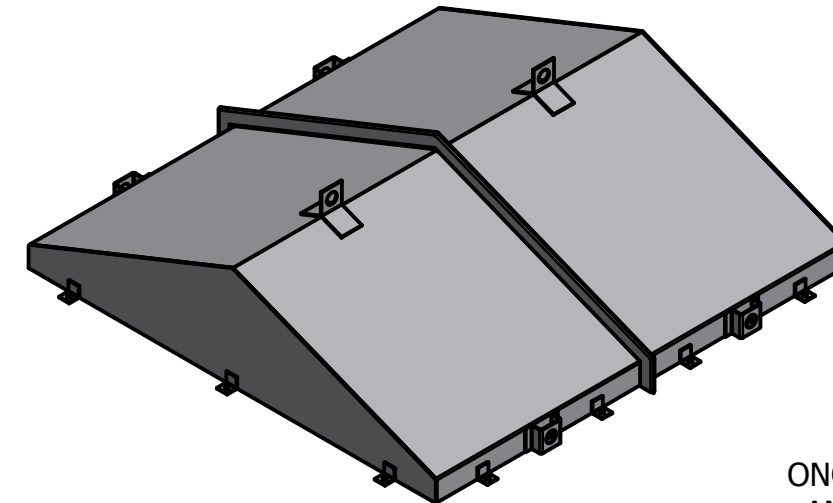


STEP 3:
CAULK AND ATTACH THE HEMMED SPLICE CAP OVER FLANGES AT EACH SPLICE LOCATIONS.

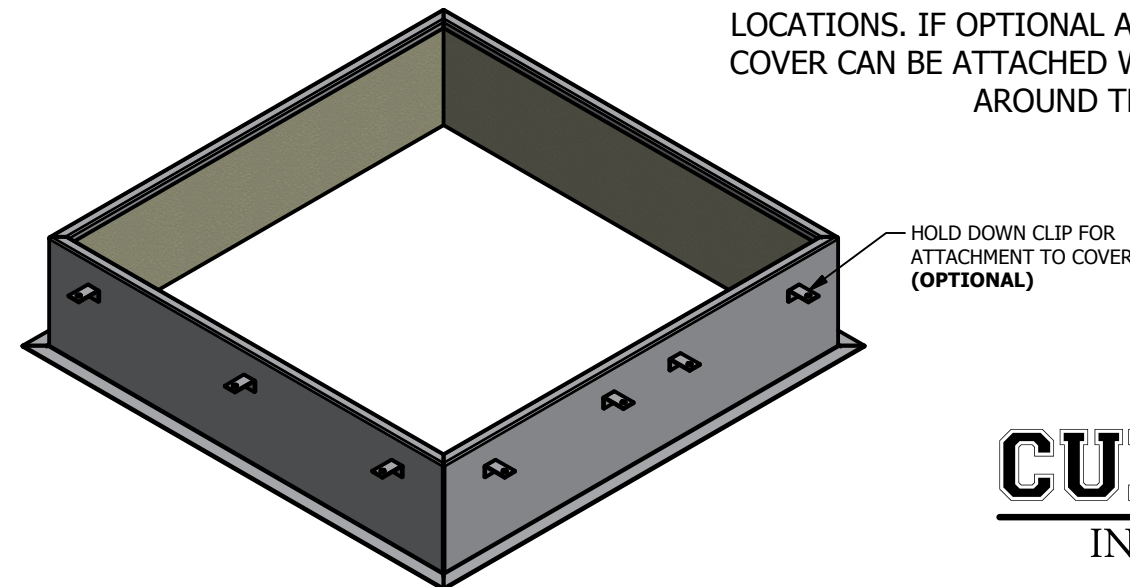


STEP 1:
UPON RECEIVING THE COVER, INSPECT FOR ANY DAMAGE THAT MAY AFFECT THE STRUCTURAL INTEGRITY OF THE COVER. (SUCH AS DEFORMATIONS OR BROKEN WELDS)

STEP 2:
ATTACH COVER AT ALL SPLICE LOCATIONS BY BOLTING THROUGH THE PROVIDED HOLES IN THE J-CHANNELS OR STEEL LADDER CHANNELS. (IT IS RECOMMENDED THAT THIS IS DONE BEFORE RIGGING.)



STEP 4:
ONCE COVER IS TOGETHER AND SEALED, IT CAN BE ATTACHED AND BOLTED TO THE ROOF CURB AT THE ATTACHMENT CLIP LOCATIONS. IF OPTIONAL ATTACHMENT CLIPS ARE NOT PROVIDED, THE COVER CAN BE ATTACHED WITH 1/4" X 18 X 3" SDST SCREWS @ 12 O/C AROUND THE BASE FLANGE OF COVER.



QUESTIONS?
CONTACT US AT (888)639-2872

CURBS PLUS INC.
INSTALLATION INSTRUCTIONS

JUNE 2018